

LT-R80N 80 GHz Radar Level Transmitter

LT-R80N is an 80 GHz FMCW radar transmitter for continuous level measurement of liquids.

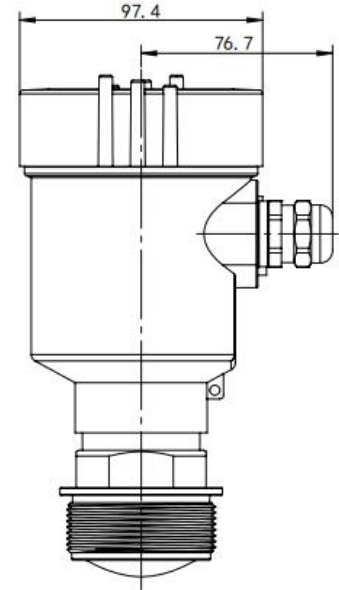
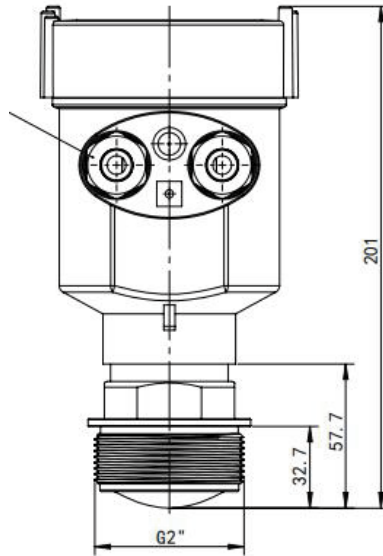
High frequency: 80 GHz, more focus

Accuracy: ± 2 mm

PTFE sealed antenna, not affected by temperature or condense water

Small emitting angle: $\pm 3.5^\circ$

G" thread connection, customized thread/flange



Model	LT-R80N
Product Type	FMCW Radar Level Transmitter
Application	Liquid level measurement
Frequency	77-81 GHz
Measurement Range	10-20-50 m
Accuracy	± 2 mm
Beam Angle	$\pm 3.5^\circ$
Antenna Material	SS304, seal PTFE
Connection	G2" standard, flange is optional
Temperature	-30 °C to 80 °C
Process Pressure	Atmospheric pressure
Signal Output	4-20 mA/RS485 (Modbus RTU)/HART
Power	Two wire DC 24V (22-30 V)
Protection	IP67
Ex-proof Class	Exd II CT6Gb
Dimensions/Weight	96x200 mm/2 kg